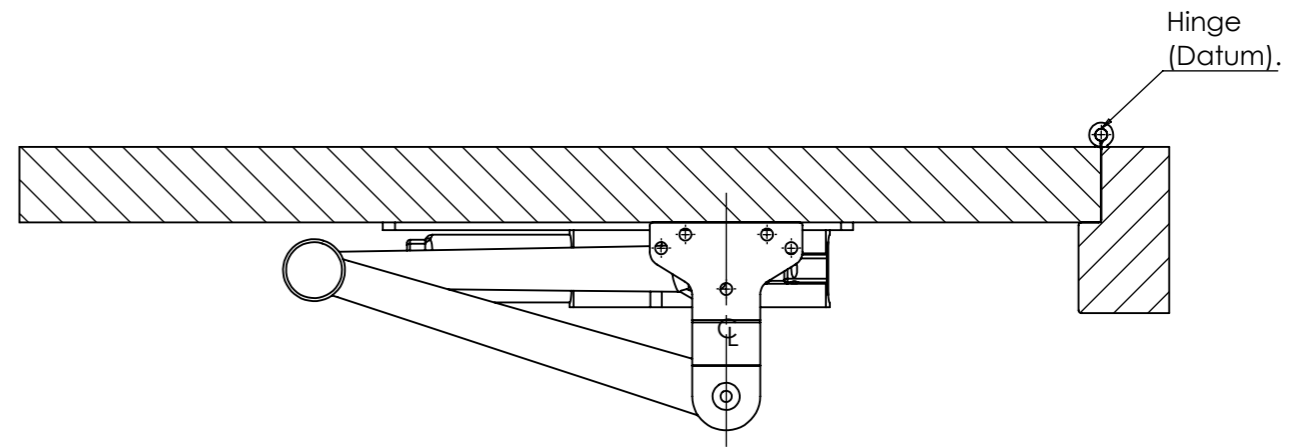
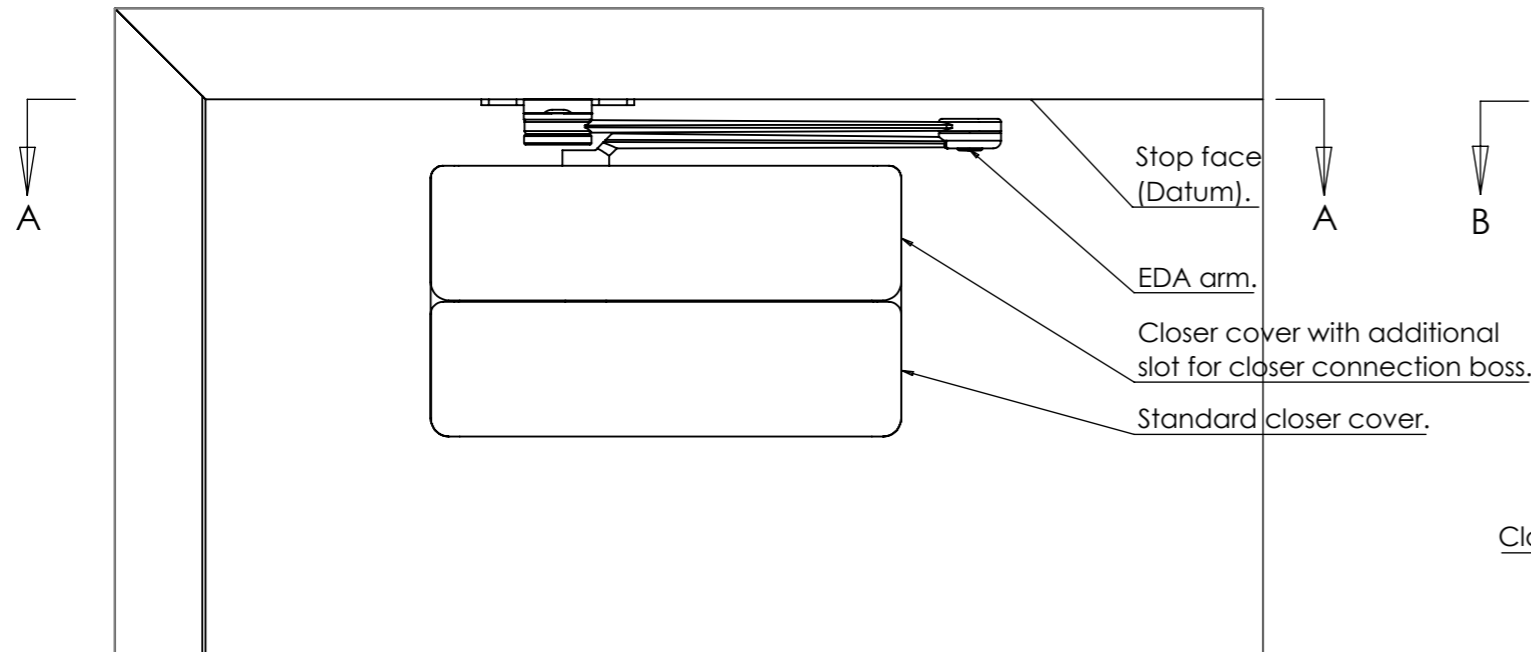


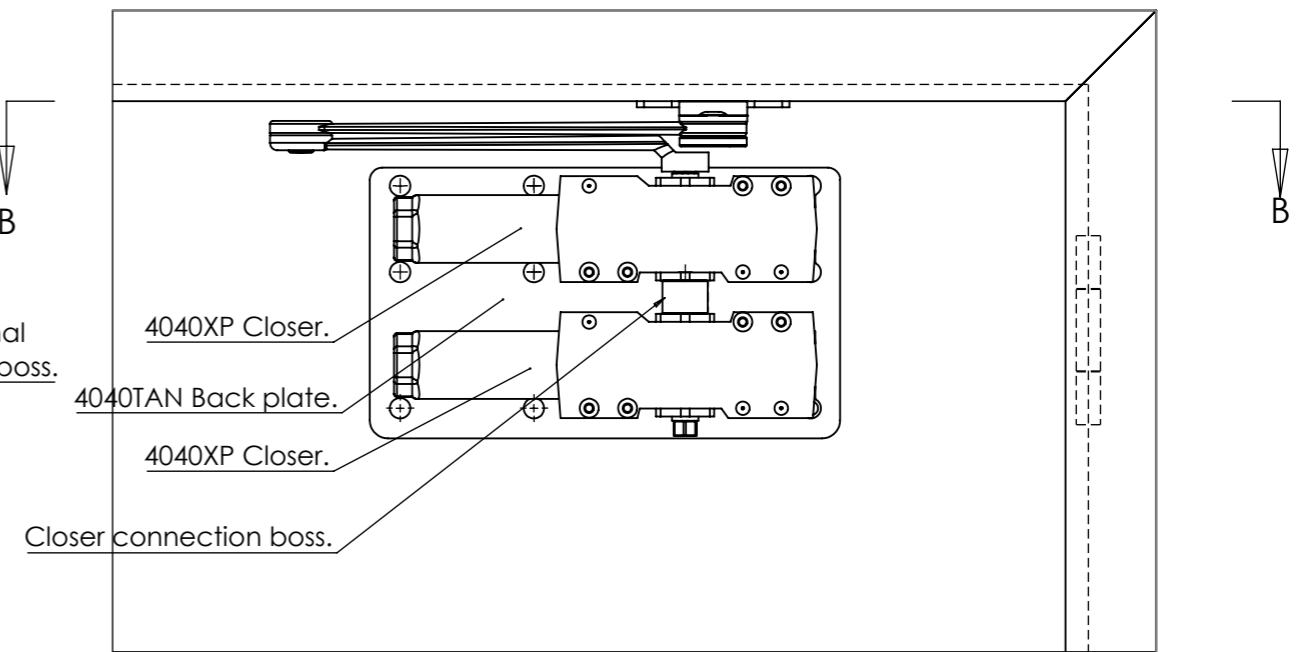
Left hand shown. SECTION A-A  
SCALE 1 : 5



Right hand shown. SECTION B-B  
SCALE 1 : 5



Left hand door - showing closer covers back plate & arm.  
Door viewed from push side.



Right hand door showing closers, connection boss, back plate & arm.  
Door viewed from push side

**INSTALLATION NOTES:**

SEE DRAWING No: 501-5 for door & frame drilling detail.

ENSURE BACK PLATE IS CORRECTLY ORIENTATED FOR HANDING.

Read in conjunction with Drawing No: 501/6 & 4040XP closer instructions for mounting arm to closer & adjustment instructions. Ensure both closers are adjusted the same spring tension and back check, main speed and latch speed.

Door Controls from CW Design & Engineering Ltd.  
+44 (0)20 3011 1066  
www.woodwooddoorcontrols.co.uk

NOTES:  
Opening angle set at installation via template.  
Spring strength ANSI minimum size 2.  
Maximum ANSI size 6 x 2 = 12

REVISIONS:  
1 - Notes added 23-9-19.  
2 - Closer spacing reduced, reducing overall height 17-3-25.

TITLE:  
4040TAN Closer 110° - 180° Push Side Mounting detail showing left and right hand closer mounting with & without covers. Back plate to be installed as Drg No: 501-5.

UNLESS OTHERWISE SPECIFIED: DIMENSIONS ARE IN MILLIMETERS

SCALE: DO NOT SCALE DRAWING

A3	DWG NO.	501-6	REVISION	2
DATE:	10-1-17	DRAWN BY:	CW	SHEET 1 OF 1