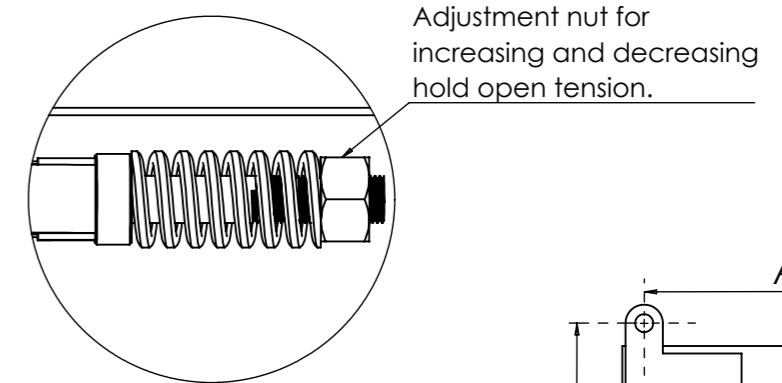
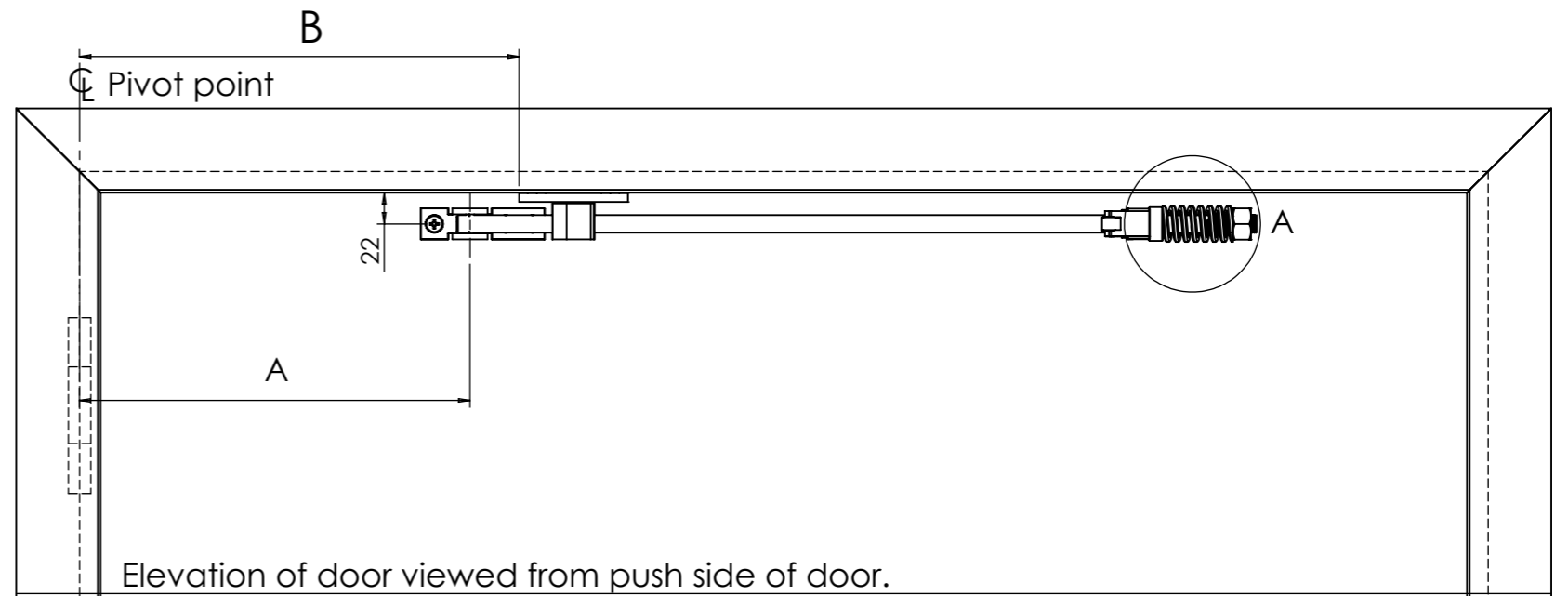
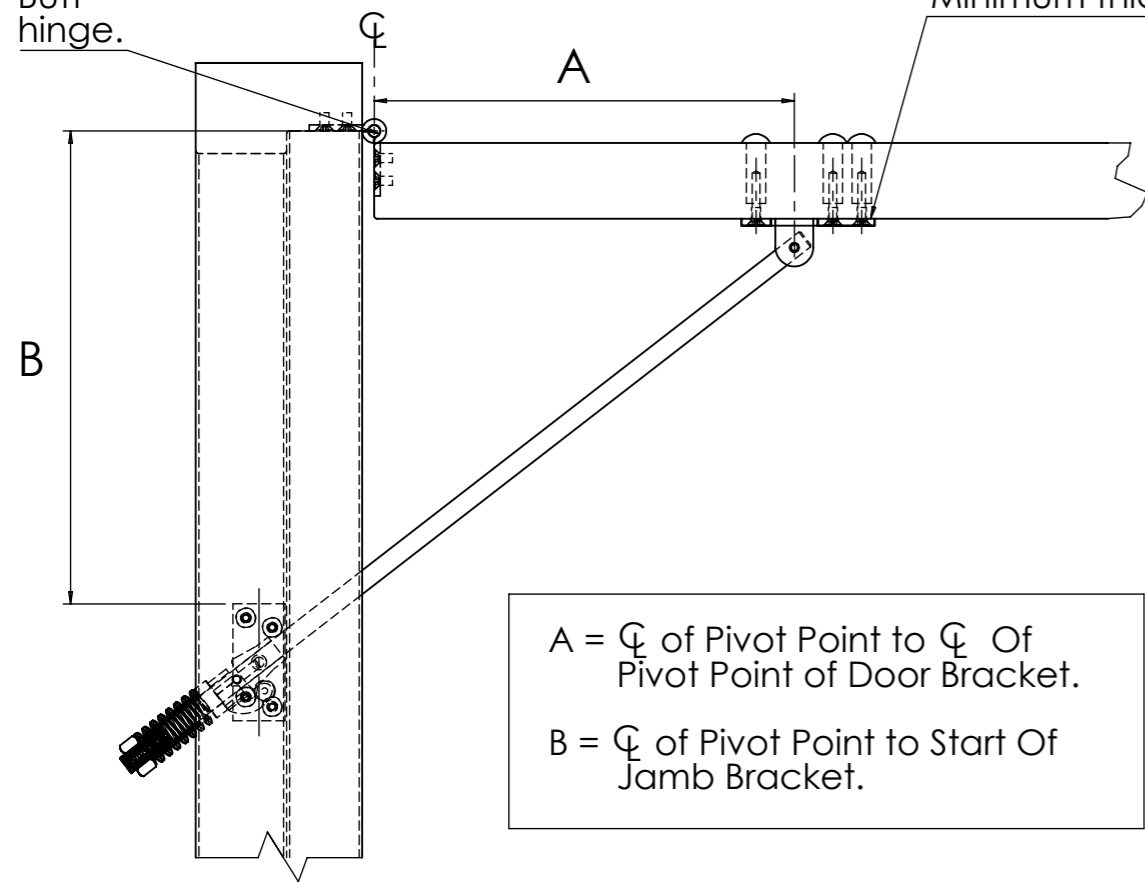
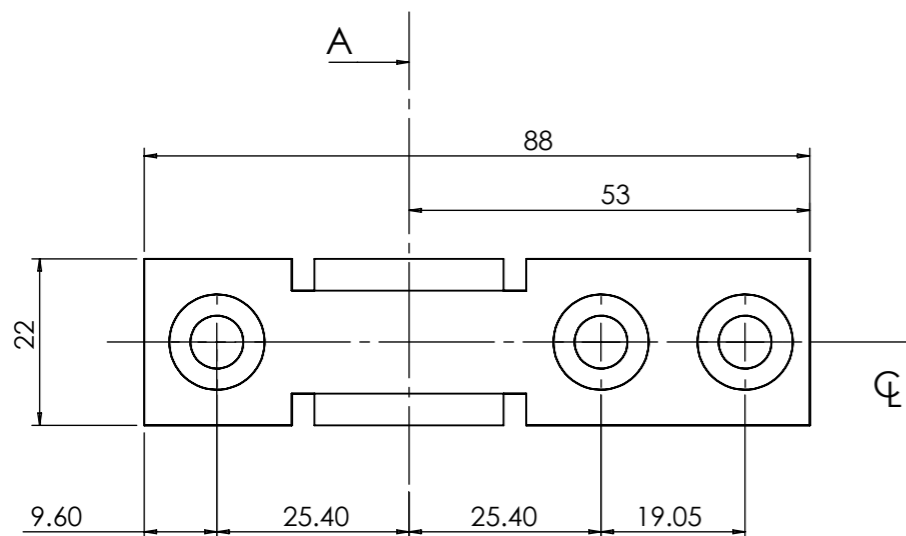
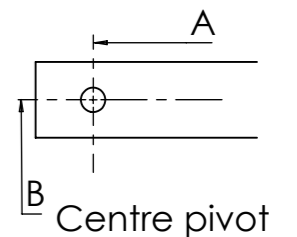
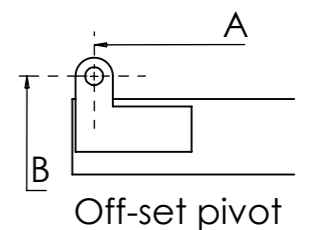


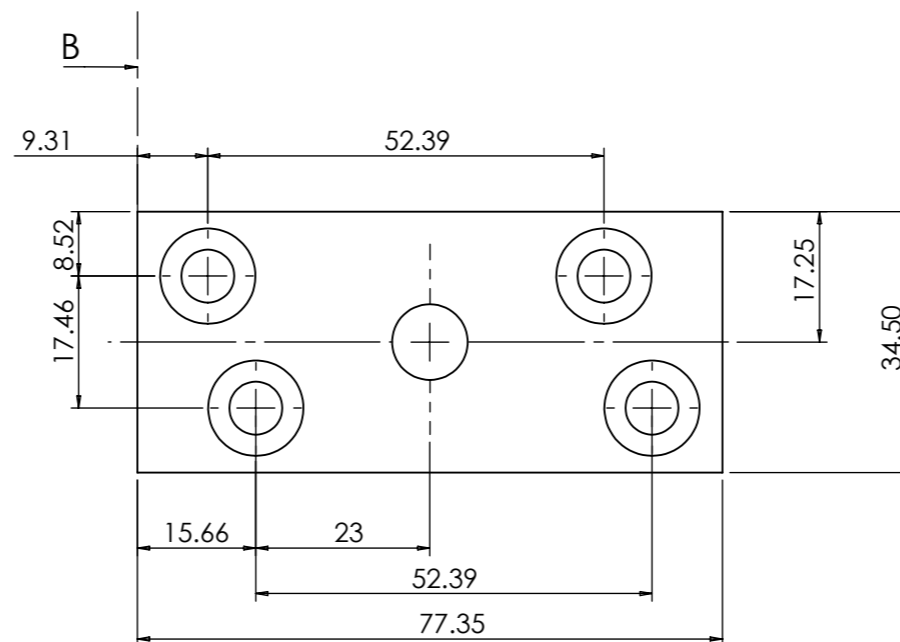
Butt hinge.
 Hollow metal door reinforcement
 Minimum thickness 5mm thick 304mm long (reinforcement detail not shown)



DETAIL A
 SCALE 1 : 2



DOOR BRACKET



JAMB BRACKET

NOTES:

1. Reversible / Non-handed (Left hand door shown)
2. For single action doors only
3. All drilling & tapping to be done on site.
4. Always request latest template drawing for new installations.
5. All dimensions are in millimetres.
6. Do not scale drawing.

REVISIONS:

WOODWOOD GROUP Door Controls
 01376 502131
 www.woodwooddoorcontrols.co.uk

TITLE:
 7000 Series holders and stays heavy duty,
 surface mounted installation template for
 L/H door.
 Read in conjunction with 7000-1-1.

A3 DWG NO. 7000-1 REVISION

1. Read in conjunction with Drawing Number: 7000-1.
2. For dead stop add 9.5mm to "A" dimension.
3. All dimensions are in mm.
4. 'A' & 'B' Dimensions are measured from hinge edge of door frame or centre line of pivot.

Dimensions for butt hinges and off-set pivoted doors.

Door Thickness 31mm to 60mm	DEGREE		85° Hold Open		90° Hold Open		95° Hold Open		100° Hold Open		105° Hold Open		110° Hold Open	
	Model Number	Door Opening Width mm	A	B	A	B	A	B	A	B	A	B	A	B
Butt Hinge & Offset Pivot	7010 7020	585-735	136.5	209.5	127	200	119	192	111	184	105	178	98	171
	7011 7021	736-887	202	302	213	260	202	249	190.5	238	182.5	230	175	222
	7012 7022	888-1040	268	358	278	312	265	300	252	287	241	276	232	266
	7013 7023	1041-1192	336	417.5	344	368	329	352	314	313	302	325	290.5	314
	7014 7024	1193-1371	394	503	403	449	386	432	368	414	354	400	340	386

Dimensions for centre pivoted doors.

Door Thickness 31mm to 60mm	DEGREE		85° Hold Open		90° Hold Open		95° Hold Open		100° Hold Open		105° Hold Open		110° Hold Open	
	Model Number	Door Opening Width mm	A	B	A	B	A	B	A	B	A	B	A	B
Centre pivoted	7010 7020	610-811	136.5	209.5	128.5	202	121	194	114	187	109.5	182.5	103	176
	7011 7021	812-976	228.5	276	216	263.5	206	254	197	244	189	236.5	181	228.5
	7012 7022	977-1122	297	332	282.5	317.5	270	305	257	292	247.5	282.5	240	274.5
	7013 7023	1123-1275	365	389	348	371	332	355.5	319	343	306	330	295	319
	7014 7024	1276-1524	425	471	405	451	386	432	370	416	357	403	344	390.5

WOODWOOD GROUP 01376 502 131
www.woodwooddoorcontrols.co.uk

NOTES:

UNLESS OTHERWISE SPECIFIED: DIMENSIONS ARE IN MILLIMETERS

REVISIONS:

X

TITLE:
7000 Series - Surface mounted Door stays & Stops Template dimensions.
*7010 Hold-Open
*7020 Stop

A3	DWG NO. 7000-1-1	REVISION
DO NOT SCALE	DATE: 11-5-21	DRAWN BY: CW SHEET 1 OF 1