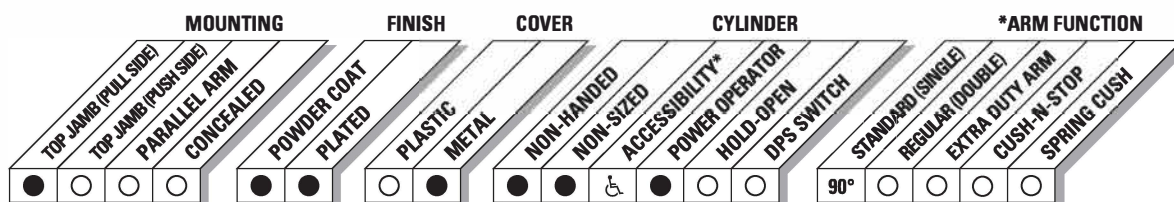


The 4810 AUTO EQUALIZER™ is LCN's pneumatically powered MULTIDOOR solution. This low-energy automatic operator provides easy access for people with disabilities, or the elderly. Designed primarily for manual opening applications that occasionally require automatic opening.

| | | | |
|--------------------------|---|---|--|
| Certifications | Grade 1 - ANSI A117.1, A156.19, UL 10C 228, ADA, 100 Hour Salt Spray, Meets BAA - Buy American Act | Cover | Metal, standard |
| Body Construction | <ul style="list-style-type: none"> ■ Cast Iron Body ■ Full Complement Bearing ■ 1-1/2" Diameter Piston ■ 3/4" Diameter Double Heat Treated Pinion Journal | Fasteners | Wood and machine screws |
| Fluid | All Weather Fluid | Mounting | Top jamb (Pull Side) |
| Handing | Non-Handed | Arms | Single lever arm with standard track |
| Size | Adjustable Spring Size 1-4 | Finishes/Colors/ Powder Coat | <ul style="list-style-type: none"> ■ Aluminum (689) ■ Statuary Bronze (690) ■ Light Bronze (691) ■ Black (693) ■ Dark Bronze (695) ■ Brass (696) ■ Custom colors optional |
| Warranty | 2 years | | <ul style="list-style-type: none"> ■ Optional SRI primer - powder coat only ■ Optional plated finishes |

**Special
Templates**

Customized installation templates or products may be available to solve unusual applications. Contact LCN Product Support for assistance.



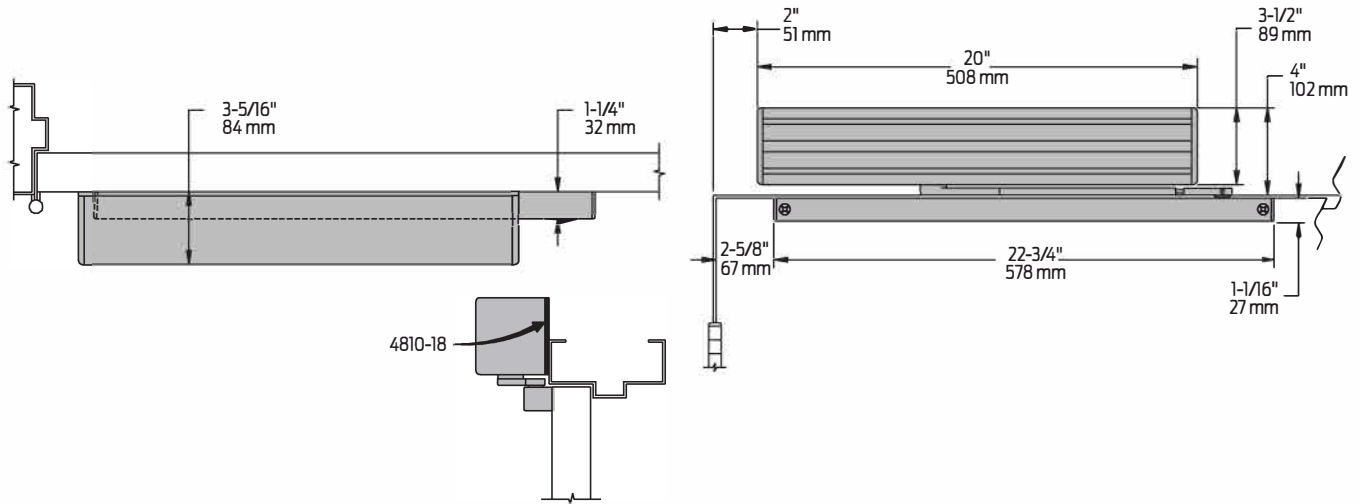
● AVAILABLE
○ NOT AVAILABLE

♿ Meets ADA requirements (power mode).
* See individual series for maximum manual opening.

4810 Series Auto Equalizer

Mounting details

Top Jamb (Pull Side) Mounting



| | |
|------------------------|---|
| Butt Hinges | Should not exceed 5" (127 mm) in width |
| Auxiliary Stop | Recommended |
| Reveal | Should not exceed 1/8" (3 mm) |
| Head Frame | Minimum 2" (51 mm) |
| Top Rail | Minimum 1-1/8" (29 mm) |
| System Diagram | See "AUTOMATIC OPERATORS" section pages 7-8 for typical system wiring, and pages 28-29 for electrical and pneumatic data for control boxes |
| Maximum opening | <ul style="list-style-type: none"> ■ Templating allows 90° power opening and 170° manual opening ■ Please note that many track style door closers are capable of allowing 180° of door swing ■ Track style closers are at their weakest closing force at 180° ■ Consult factory for applications where exterior or large/heavy door must swing 180° |

Notes:

- Multi-door solution utilizing 10,000,000 cycle heavy duty door closer
- Requires control box with integral compressor or control box using auxiliary air supply
- See CONTROL BOX pages 28-29 and actuators and accessories, pages 115-131
- Guard rails/safety mats not required

Cylinders



4811-3971
Cast Iron Cylinder Assembly

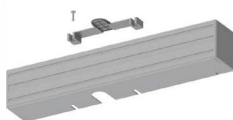
- Non-handed
- Standard



4811-3071
Cast Iron Cylinder Assembly

- Non-handed
- Mounting plate
- Standard

Cover



4810-72MC
Metal Cover

- Non-handed
- With black end caps
- Standard

Track



4810-3038
Standard Track

- Non-handed
- Will not accept hold open clip or bumper assembly
- Standard

Arm



4810-3077T
Standard Arm

- Non-handed
- Track roller not included with arm

Installation Accessories



4810-3034
Track Roller

- Quiet low friction roller assembly
- Shoulder dimension "X" = 1/8" (3mm)

How-to-order 4810 Series

Specify finish

- Standard Powder Coat _____
Aluminum, Dark Bronze, Statuary, Light Bronze, Black, Brass

Closer options

Finishes

- Custom Powder Coat (RAL)- _____
- Plated Finish, US- _____

Screw pack

- TB*, Wood & Machine Screw (TBWMS)
*Specify door thickness if other than 1-3/4"

Special template

- ST- _____

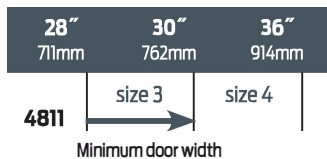
Closer will be shipped with:

- Standard cylinder
- Standard metal cover
- Standard arm
- Track roller
- Standard track
- Wood and machine screw pack
unless options listed below are selected.

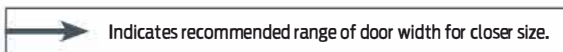
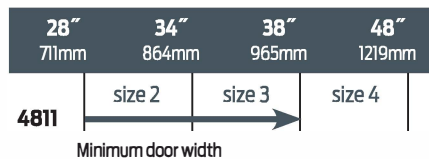
Table of sizes

- Non-sized 4810 Series cylinder is adjustable from size 1 through size 4 and is shipped set to size 3
- Closing power of 4810 Series closers may be increased 50%

Exterior (and Vestibule) door width



Interior door width



NOTE: Minimum door width 28" (711 mm).