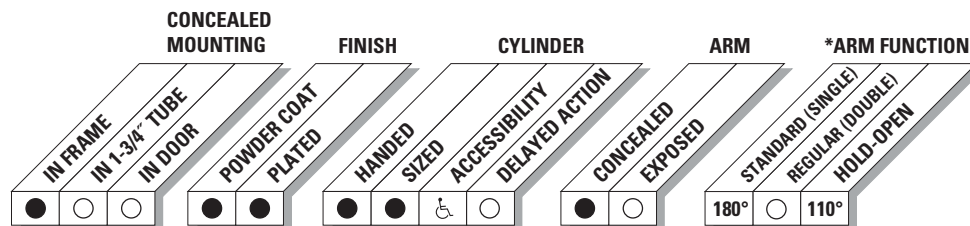


The concealed 2010 Series is a heavy duty closer designed to provide complete concealment. The single lever arm and roller assembly provide smooth, quiet door control and the choice of finishes and track functions meet virtually all architectural requirements.

<b>Certifications</b>	Grade 1 - ANSI A156.4, UL 10 C, ADA, 100 Hour Salt Spray, Meets BAA - Buy American Act	<b>Fasteners</b>	Wood and Machine Screw Pack
<b>Body Construction</b>	<ul style="list-style-type: none"> <li>■ Cast Iron Body</li> <li>■ Full Complement Bearing</li> <li>■ 1-1/2" Diameter Piston</li> <li>■ 11/16" Diameter Double Heat Treated Pinion Journal</li> </ul>	<b>Mounting</b>	Concealed (in frame); aluminum frame requires minimum 4" x 4" (102 mm) tube
<b>Fluid</b>	All Weather Fluid	<b>Arms</b>	Standard arm and track
<b>Handing</b>	Handed	<b>Finishes/Colors/ Powder Coat</b>	<ul style="list-style-type: none"> <li>■ Aluminum (689)</li> <li>■ Statuary Bronze (690)</li> <li>■ Light Bronze (691)</li> <li>■ Black (693)</li> <li>■ Dark Bronze (695)</li> <li>■ Brass (696)</li> <li>■ Custom colors optional</li> </ul>
<b>Size</b>	Sized 1-6		<ul style="list-style-type: none"> <li>■ Optional SRI primer - powder coat only</li> <li>■ Optional plated finishes</li> </ul>
<b>Warranty</b>	15 years		

**Special Templates**

Customized installation templates or products may be available to solve unusual applications. Contact LCN Product Support for assistance.



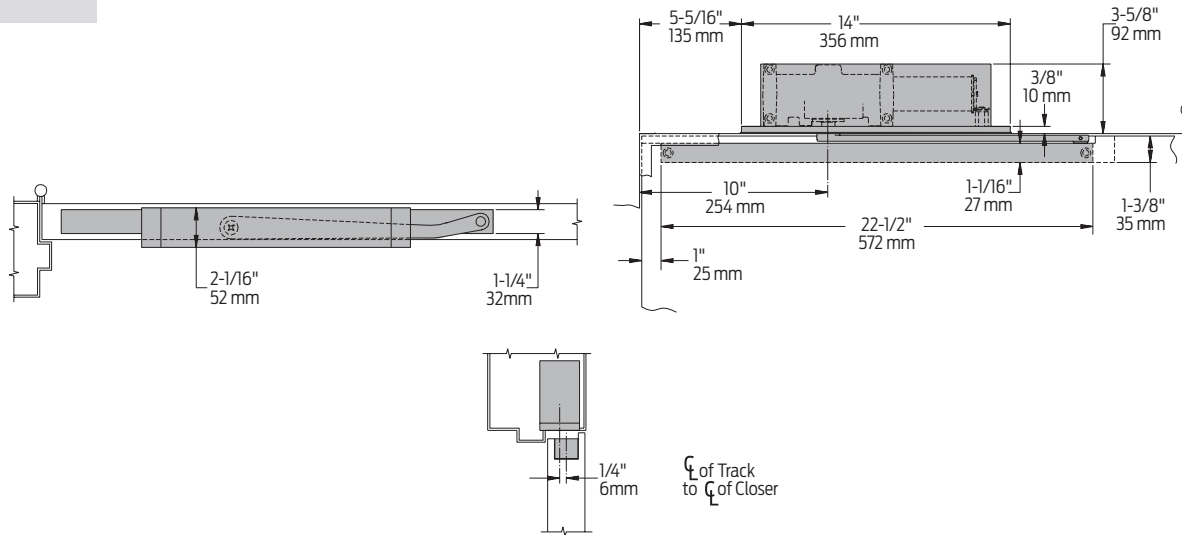
● AVAILABLE  
○ NOT AVAILABLE

♿ Closer available with less than 5.0 lbs. opening force on 36" door.  
\* Maximum opening/hold-open point with standard template. See individual closer series for degrees of opening per installation.

# 2010 Series

## Mounting details

### Concealed Mounting

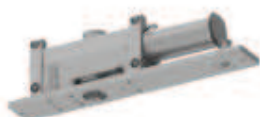


<b>Butt Hinges</b>	Should not exceed 5" (127 mm) in width
<b>Auxiliary Stop</b>	<ul style="list-style-type: none"> <li>Recommended where a door cannot swing 180°</li> <li>Optional track bumper assembly assists backcheck in cushioning the opening swing of the door (not intended to replace an auxiliary stop).</li> </ul>
<b>Top Rail</b>	<ul style="list-style-type: none"> <li>1-3/8" (35 mm) mortise required</li> <li>With Fire Shield, 1-13/32" (36 mm) mortise required</li> <li>5/16" (8 mm) cutout required at top of the door, stop face only</li> </ul>
<b>Door Thickness</b>	1-3/4" (44 mm) minimum
<b>Hollow Metal Frame</b>	Consult factory for installation instructions
<b>Maximum opening</b>	<ul style="list-style-type: none"> <li>Butt hinge template allows 180°, trim permitting</li> <li>Limited to 110° when optional bumper is installed</li> <li>Adjustable hold-open points from 85° to 110°, with hold-open track</li> <li>Offset pivot template allows 110°, trim permitting</li> <li>Limited to 95° when optional bumper is installed</li> <li>Adjustable hold-open points from 75° to 95°, with hold-open track</li> <li>Center pivot template allows 120°, trim permitting</li> <li>Limited to 95° when optional bumper is installed</li> <li>Adjustable hold-open points from 75° to 95°, with hold-open track</li> </ul>

**Notes:**

- For interior or exterior doors
- Single acting cylinder in head frame
- Concealed arm and track in door top rail

**Cylinder**



**2011(3)(4)(5)(6)-3071**  
Cast Iron Cylinder Assembly

- Handed
- With mounting plate
- Standard

**Arm**



**2010-3077T**  
Standard Arm

- Handed
- Track roller not included with arm

**Installation Accessories**



**2010-420**  
Fire Shield

- 22 gauge steel liner mounts in the track mortise of the door's top rail for 20 minute labeled wood doors



**2010-169**  
Track Bumper

- Mounts in track to assist backcheck
- Limits maximum opening
- Consists of bumper, bumper post, and mounting screw

*NOTE: Track bumper does not replace auxiliary stop.*

**Tracks**



**2010-3038**  
Standard Track

- Non-handed
- Non hold-open
- Will accept hold-open clip and/or bumper assembly.
- Standard



**2010-3038B**  
Standard Track with Bumper

- Non-handed
- Non hold-open
- Will accept hold-open clip
- Optional



**2010-3038H**  
Hold-Open Track

- Non-handed
- Will accept bumper assembly
- Optional



**2010-3038HB**  
Hold-Open Track with Bumper

- Non-handed
- Optional



**2010-3054**  
Hold-Open Clip

- Mounts in track to provide hold-open function
- Hold-open point controlled by clip location
- Requires 2010-3034H



**2010-3034**  
Track Roller

- Quiet, low friction roller assembly
- Shoulder dimension "X" = 1/16" (2mm)



**2010-3034H**  
Hold-Open Track Roller

- Quiet, low friction roller assembly
- Shoulder dimension "X" = 1/16" (2mm)

### How-to-order 2010 Series closers

#### Table of sizes

- Select closer based on width of door.
- 2010 Series cylinders available in size 1, 3, 4, 5, or 6.
- Closing power of all 2010 Series closers may be increased 15%.
- Specify next higher size closer where strong drafts exist.

#### Select cylinder size

- 2011
- 2013
- 2014
- 2015
- 2016

#### Select hand

- RH
- LH

#### Specify finish

- Standard Powder Coat \_\_\_\_\_  
Aluminum, Dark Bronze, Statuary, Light Bronze, Black, Brass.

#### Closer will be shipped with:

- Standard cylinder with finish plate
- Standard arm
- Standard track
- Wood and machine screw pack  
unless options listed below are selected.

## Closer options

#### Tracks

- Standard with Bumper (BUMPER)
- Hold-open (H)
- Hold-open with Bumper (HBUMPER)

#### Finishes

- Custom Powder Coat (RAL) \_\_\_\_\_
- Plated Finish, US \_\_\_\_\_
- SRI primer (use with powder coat finishes only)

#### Installation accessories

- Fire Shield, 2010-420

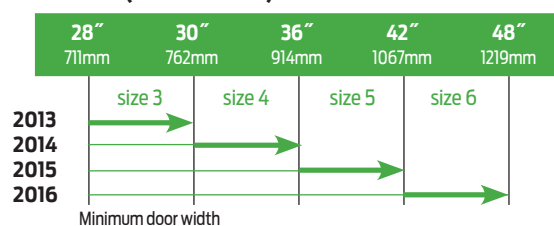
#### Screw pack

- TORX Machine Screw (TORX)

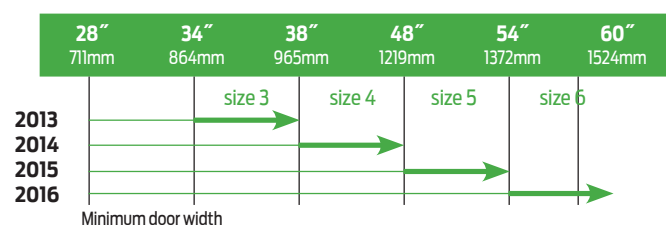
#### Special template

- ST- \_\_\_\_\_

#### Exterior (and Vestibule) door width



#### Interior door width




→ Indicates recommended range of door width for closer size.

## Reduced opening force 2010 Series closers

**CAUTION!** Any manual door closer, including those certified by BHMA to conform to ANSI Standard A156.4, that is selected, installed and adjusted based on ADA or other reduced opening force requirements may not provide sufficient power to reliably close and latch a door.

Refer to POWER OPERATORS section for information on systems that meet reduced opening force requirements without affecting closing power.

\* Maximum opening force.

	DOOR WIDTH	36"	42"	48"
	8.5* lbs.	2014	2014	2015
5.0* lbs.	2011	2011	2013	