

I-8505 Heavy Duty Full Surface Hinge

I-8505 Heavy Duty Full Surface Hinge

Heavy duty surface mounted hinges for use on very heavy security doors, prison doors, gates or any door where hinges are subject to severe loads from blasts, high winds or any other external factor.

Weight capacity:

- Door weight capacity 360kg
- Radial load capacity of 145kg

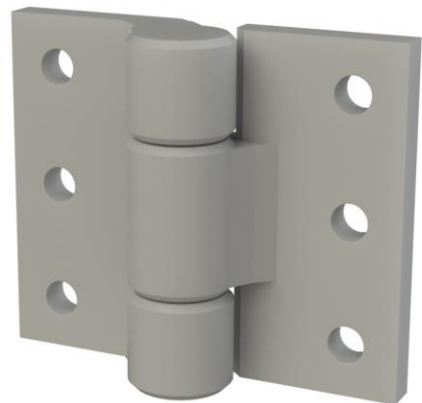
Features:

- Precision engineered to give high load capacity.
- Available as drilled or undrilled to suit the mounting requirement.
- Available in 1018 cold roll steel or 304 stainless steel.
- Precision ground stainless steel pin.
- Self-lubricating, maintenance free radial and thrust bearing.

Undrilled Ref: I-8505.U



Drilled Ref: I-8505.D

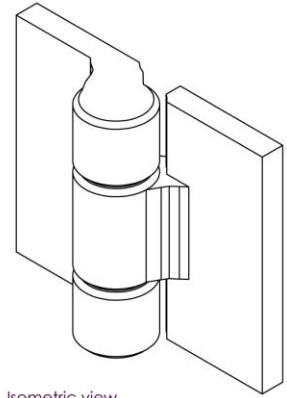
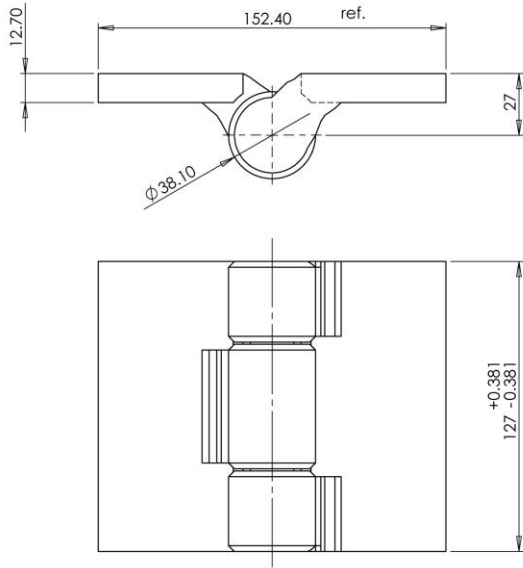


The hinges will function at the rated capacities provided that:

- The hinges are installed without inducing hinge bind.
- A minimum of two hinges are used per leaf
- Door weight or thrust load shall never exceed the thrust capacity of one hinge.
- For weld on applications, a minimum fillet weld size of 6.4mm shall be installed on three sides of each leaf. Weld interpass temperatures should not exceed 225°f / 107°c

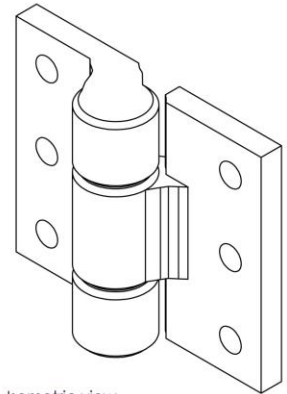
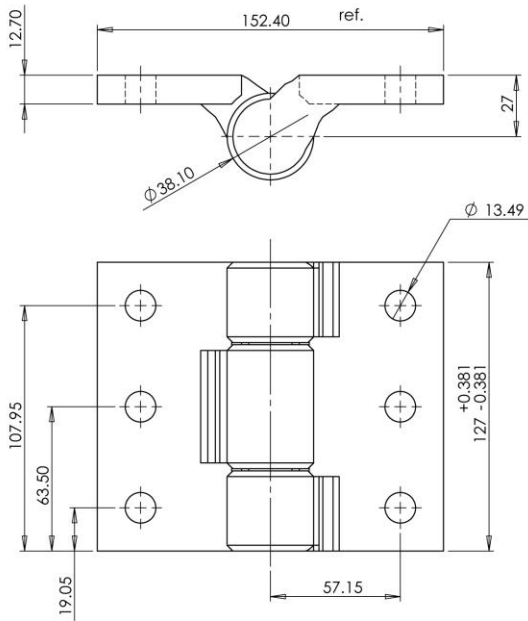
Dimensions:

Undrilled:



Isometric view.

Drilled:



Isometric view.